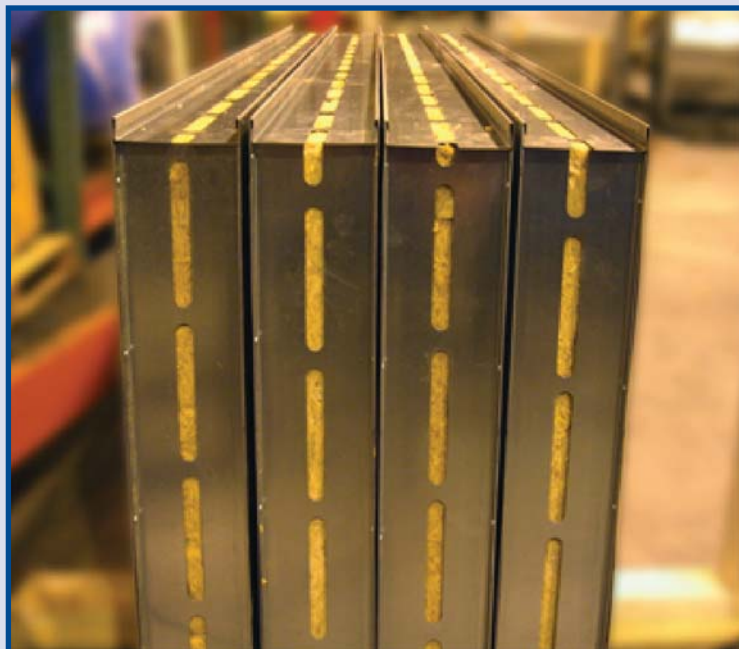




**Rapid**<sup>TM</sup>  
Engineering LLC

## Insulated Oven Panels



- Available sizes are 2" (5 cm), 3" (8 cm), 4" (10 cm), 5" (13 cm), or 6" (15 cm).
  - Standard width of insulated oven panels is 27-7/8" (71 cm).
  - 20 gauge aluminized steel interior and exterior skins, unpainted.
  - 4 lb (2 kg) density insulation which is pre-formed, mineral-fiber felt - ideal for oven applications to 500° F (260° C).
  - Self-supporting, formed tongue-and-groove construction.
  - Galvanized steel perimeter rails are slotted to help minimize heat transfer.
  - Panels come banded and skidded for ease of shipping and handling.
- **Minimum order: 500 square feet (46.5 m<sup>2</sup>).**
  - **Standard Delivery: 2-4 weeks for most orders.**

### Options:

- Custom panel widths and lengths.
- Complete trim packages.
- Access doors (23" W x 60" H [58 cm x 152 cm]), (23" W x 72" H [58 cm x 183]), complete with jamb, hinges, gaskets and explosion-relief latches.
- Profile openings and cutouts (Per Customer Drawings).
- 6 and 8 lb (3 and 4 kg) density insulation.
- Insulation for joints and corners.

***You'll Value Our Experience!***

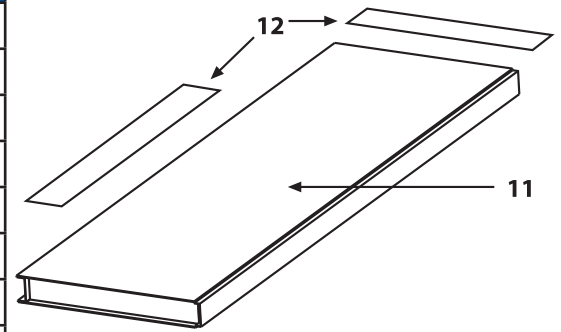
**[www.RapidFinishingEquipment.com](http://www.RapidFinishingEquipment.com)**

**1.800.536.3461**

## Oven Assembly: Exploded View

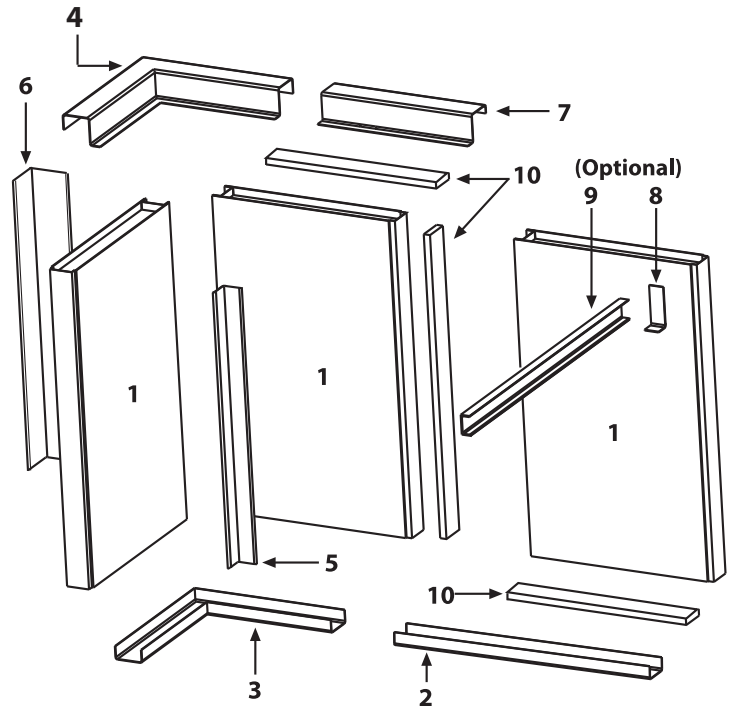
### STANDARD GAUGES AND LENGTHS

<b>2</b>	= Base Channel (Straight): 16 gauge, 119" (302 cm) long (Standard)
<b>3</b>	= Base Channel (Corner): 16 gauge, 2' x 2' (.61 cm x .61 cm)
<b>4</b>	= Top Cap (Corner): 14 gauge, 2' x 2' (.61 cm x .61 cm)
<b>5</b>	= Inside Vertical Corner: 16 gauge, 119" (302 cm) long (Standard)
<b>6</b>	= Outside Vertical Corner: 16 gauge, 119" (302 cm) long (Standard)
<b>7</b>	= Top Cap (Straight): 14 gauge, 119" (302 cm) long (Standard)
<b>8</b>	= Conveyor Support Clips: 12 gauge (Optional)
<b>12</b>	= Roof Trim (Straight): 16 gauge, 119" (302 cm) long (Standard)



### LEGEND

<b>1</b>	= Insulated Oven Panel: Wall
<b>2</b>	= Trim: Base Channel
<b>3</b>	= Trim: Base Channel Corner
<b>4</b>	= Trim: Top Cap Corner
<b>5</b>	= Trim: Inside Vertical Corner
<b>6</b>	= Trim: Outside Vertical Corner
<b>7</b>	= Trim: Top Cap - Straight
<b>8</b>	= Conveyor Channel Support Clip (Optional)
<b>9</b>	= Conveyor Support Channel (Optional)
<b>10</b>	= Panel Joint Insulation (1½" (3.8 cm) Thick Fiberglass)
<b>11</b>	= Insulated Oven Panel: Roof
<b>12</b>	= Trim Roof



### Important Notes:

- Oven panel trim is aluminized steel.
- Profile openings and cutouts are quoted separately, per customer drawings.

### Installation Code and Annual Inspections:

All installation and service of RAPID™ equipment must be performed by a contractor qualified in the installation and service of industrial processing and finishing equipment and conform to all requirements set forth in the RAPID™ manuals and all applicable governmental authorities (including but not limited to NFPA-86) pertaining to the installation, service and operation of the equipment. Refer to the applicable installation, service and operation manual for safety shutoff valve leak test procedure and schedule. To help facilitate optimum performance and safety, Rapid Engineering LLC recommends that a qualified contractor conduct, at a minimum, annual inspections of your RAPID™ equipment and perform service where necessary, using only replacement parts sold and supplied by Rapid Engineering LLC.

**Further Information:** Applications, engineering and detailed guidance on systems design, installation and equipment performance is available through RAPID™ representatives. Please contact us for any further information you may require, including the Installation, Operation and Service Manual.

**These products are not for residential use.**

**This document is intended to assist licensed professionals in the exercise of their professional judgment.**

### Rapid Engineering LLC

1100 Seven Mile Road NW  
Comstock Park, MI 49321  
Telephone: +1.616.784.0500  
Toll Free: 800.536.3461  
Fax: +1.616.784.1910

[www.rapidengineering.com](http://www.rapidengineering.com)  
[www.rapidfinishingequipment.com](http://www.rapidfinishingequipment.com)  
[www.rapidwashers.com](http://www.rapidwashers.com)  
[www.rapidbatchovens.com](http://www.rapidbatchovens.com)