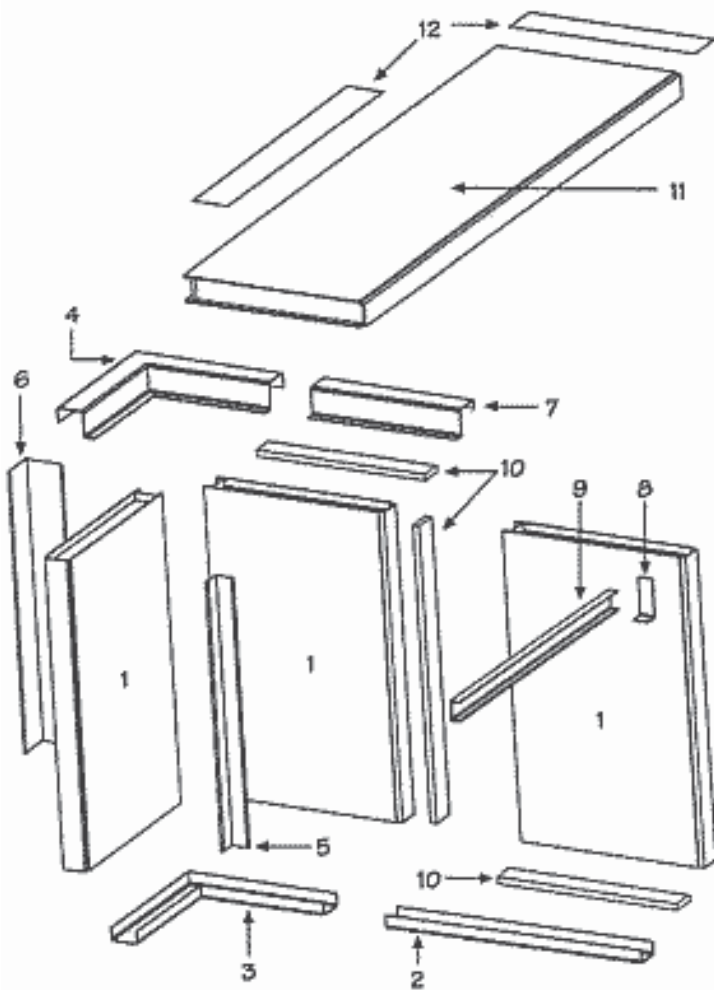




Industrial Finishing Oven Panels & Trim Packages Technical Data



LEGEND

- 1 = Insulated Oven Panel: Wall
- 2 = Trim : Base Channel
- 3 = Trim : Base Channel Corner
- 4 = Trim : Top Cap Corner
- 5 = Trim : Inside Vertical Corner
- 6 = Trim : Outside Vertical Corner
- 7 = Trim : Top Cap - Straight
- 8 = Conveyor Channel Support Clip (Optional)
- 9 = Conveyor Support Channel (Optional)
- 10 = Panel Joint Insulation (1-1/2" Thick Fiberglass)
- 11 = Insulated Oven Panel: Roof
- 12 = Trim Roof

GAUGES AND LENGTHS

- 2 = Base Channel (Straight): 16 gauge, 10' long (Standard)
- 3 = Base Channel (Corner): 16 gauge, 2' x 2'
- 4 = Top Cap (Corner): 14 gauge, 2' x 2'
- 5 = Inside Vertical Corner: 16 gauge, 10' long (Standard)
- 6 = Outside Vertical Corner : 16 gauge, 10' long (Standard)
- 7 = Top Cap (Straight): 14 gauge, 10' long (Standard)
- 8 = Conveyor Support Clips : 12 gauge (Optional)
- 12 = Roof Trim (Straight): 16 gauge, 10' long (Standard)