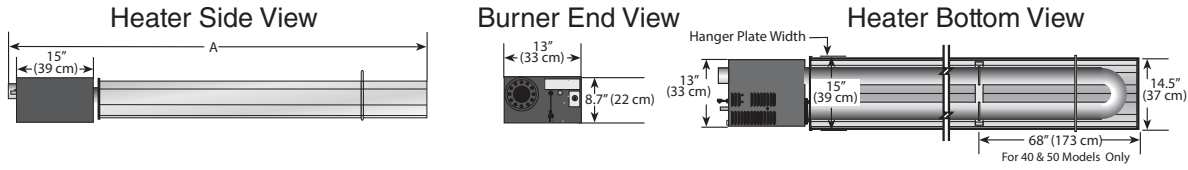




HVAC Infrared GH-Series Overview

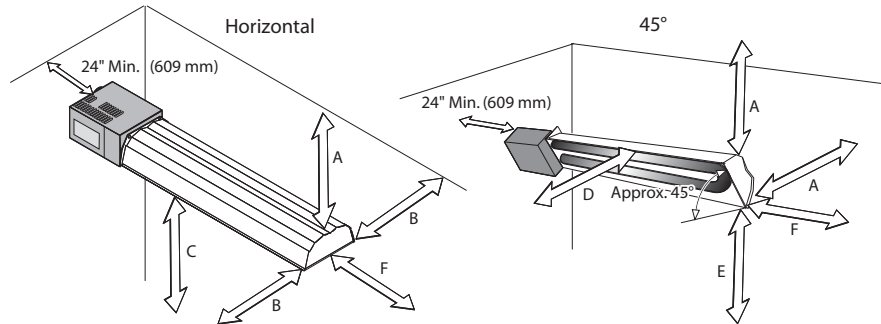


Model		CGTH-30	CGTH-40	CGTH-50
Overall Length	(ft, in) A	8,0	11,6	11,6
Weights	(lb)	85	96	96
Input	(Btu/h) x (1000)	30	40	50
Fuel		Natural Gas (NG) or Propane Gas (LPG)		
Inlet Pressure	(in wc) NG min. LPG Propane min. NG & LPG Propane max.	5 11 14		
Gas Connection	NPT	3/8" (3/8" Manual Shut-off Valve Included with Heater)		
Minimum Mounting Height	(ft)*	7' (Required Safe Distances from Combustibles Must be Maintained)		
Electrical Supply		120 V, 60 Hz, 1 Ø, 1 A (Connection - Cord with 3-Prong Molded Plug)		
Thermostat		Low Voltage, 24 Vac Dual Scale Included with Heater (120 Vac Optional) (Connection - Built-in Receptacle on Heater)		
Heat Exchanger Tubing		3" dia, 16 gauge, Heat Treated ALUMI-THERM® Steel Tubing		
Exhaust Flue/Vent OD	(in)	3" dia/5" dia (Included with Heater)		
Balanced Flue		Vent Collar and Vent Termination Included with Heater		
Flue Length	(ft, in)	2, 6 Minimum; 10, 0 Maximum		
Reflector and End Caps		.024 Mill Finish Aluminum		
Ignition		Fully Automatic, Three Try, Direct Spark Electronic Ignition Control, 100% Shut-Off		
Approved As		Indoor Vented Overhead Room Heater		
CSA Standards		ANSI Z21.86 / CSA 2.32		
Options		Roof Venting Kit, 90° Elbow Kit, Wall Venting Kits		
Warranty		Three-Year Limited (Refer to Installation, Operation and Service Manual for Details)		

*The minimum mounting height is 10' (3 m) for aircraft hangars and 8' (2.5 m) for public garages.

Required Safe Distances from Combustibles ** (in)

Model	CGTH-30	CGTH-40	CGTH-50
A	4	4	4
B	16	18	20
C	36	48	48
D	28	30	32
E	34	34	36
F	6	6	6



**For complete installation, operation and service criteria, please see the current issue of the Installation, Operation and Service Manual.